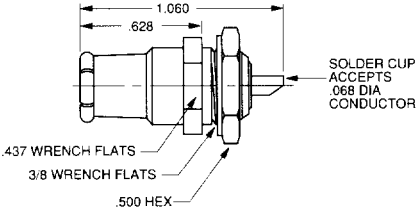
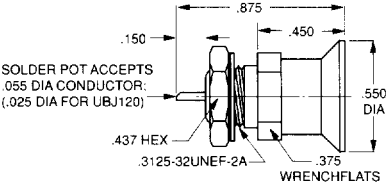
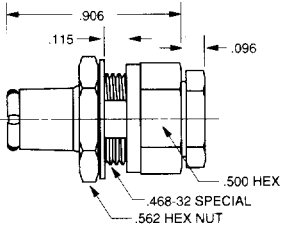
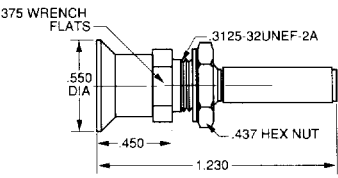
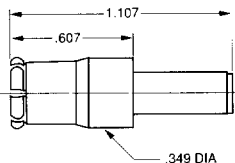
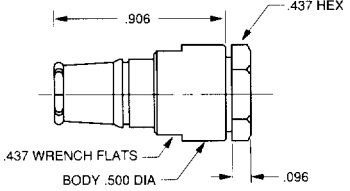


PUSH-ON COAX 120 SERIES

These BNC/TNC push-on jacks and plugs are designed for (U)PL123 blind mate rack and panel applications. The male plugs mate (U)PL122 with any BNC/TNC jack and are ideally suited for test/cable applications.

<p><i>PL121 Shown</i></p>  <table border="0"> <tr> <td>PANEL PLUG</td> <td>50Ω</td> <td>PL121</td> </tr> <tr> <td>FRONT MOUNT, SOLDER POT</td> <td>75Ω</td> <td>UPL121</td> </tr> <tr> <td>W/ SOLDER LUG</td> <td>50Ω</td> <td>PL121SL</td> </tr> <tr> <td></td> <td>75Ω</td> <td>UPL121SL</td> </tr> </table> <p>Mounting Hole: C2.093</p>	PANEL PLUG	50Ω	PL121	FRONT MOUNT, SOLDER POT	75Ω	UPL121	W/ SOLDER LUG	50Ω	PL121SL		75Ω	UPL121SL	 <table border="0"> <tr> <td>BULKHEAD JACK</td> <td>50Ω</td> <td>BJ120</td> </tr> <tr> <td>FRONT MOUNT, SOLDER LUG</td> <td>75Ω</td> <td>UBJ120</td> </tr> <tr> <td>W/ SOLDER LUG</td> <td>50Ω</td> <td>BJ120SL</td> </tr> <tr> <td></td> <td>75Ω</td> <td>UBJ120SL</td> </tr> </table> <p>Mounting Hole: C1.120</p>	BULKHEAD JACK	50Ω	BJ120	FRONT MOUNT, SOLDER LUG	75Ω	UBJ120	W/ SOLDER LUG	50Ω	BJ120SL		75Ω	UBJ120SL
PANEL PLUG	50Ω	PL121																							
FRONT MOUNT, SOLDER POT	75Ω	UPL121																							
W/ SOLDER LUG	50Ω	PL121SL																							
	75Ω	UPL121SL																							
BULKHEAD JACK	50Ω	BJ120																							
FRONT MOUNT, SOLDER LUG	75Ω	UBJ120																							
W/ SOLDER LUG	50Ω	BJ120SL																							
	75Ω	UBJ120SL																							
<p><i>PL122 Shown</i></p>  <table border="0"> <tr> <td>PANEL PLUG</td> <td>50Ω</td> <td>PL122- ⚠</td> </tr> <tr> <td>REAR MOUNT, CABLE ENTRY</td> <td>75Ω</td> <td>UPL122- ⚠</td> </tr> </table> <p>Mounting Hole: DD5.187</p>	PANEL PLUG	50Ω	PL122- ⚠	REAR MOUNT, CABLE ENTRY	75Ω	UPL122- ⚠	 <table border="0"> <tr> <td>BULKHEAD CABLE JACK</td> <td>50Ω</td> <td>BJ120C- ⚠</td> </tr> <tr> <td>FRONT MOUNT, TOOL CRIMP</td> <td>75Ω</td> <td>UBJ120C- ⚠</td> </tr> </table> <p>Limited Cable Groups Mounting Hole: C1.120</p>	BULKHEAD CABLE JACK	50Ω	BJ120C- ⚠	FRONT MOUNT, TOOL CRIMP	75Ω	UBJ120C- ⚠												
PANEL PLUG	50Ω	PL122- ⚠																							
REAR MOUNT, CABLE ENTRY	75Ω	UPL122- ⚠																							
BULKHEAD CABLE JACK	50Ω	BJ120C- ⚠																							
FRONT MOUNT, TOOL CRIMP	75Ω	UBJ120C- ⚠																							
<p><i>PL223-001 Shown</i></p>  <table border="0"> <tr> <td>CABLE PLUG</td> <td>50Ω</td> <td>PL223- ⚠</td> </tr> <tr> <td>TOOL CRIMP</td> <td>75Ω</td> <td>UPL223- ⚠</td> </tr> </table>	CABLE PLUG	50Ω	PL223- ⚠	TOOL CRIMP	75Ω	UPL223- ⚠	<p><i>PL123-2 Shown</i></p>  <table border="0"> <tr> <td>CABLE PLUG</td> <td>50Ω</td> <td>PL123- ⚠</td> </tr> <tr> <td>WRENCH CRIMP</td> <td>75Ω</td> <td>UPL123- ⚠</td> </tr> </table>	CABLE PLUG	50Ω	PL123- ⚠	WRENCH CRIMP	75Ω	UPL123- ⚠												
CABLE PLUG	50Ω	PL223- ⚠																							
TOOL CRIMP	75Ω	UPL223- ⚠																							
CABLE PLUG	50Ω	PL123- ⚠																							
WRENCH CRIMP	75Ω	UPL123- ⚠																							

⚠ - Refers to Cable Group Table, see pages 68-88 "D" mounting holes are on page 45.